



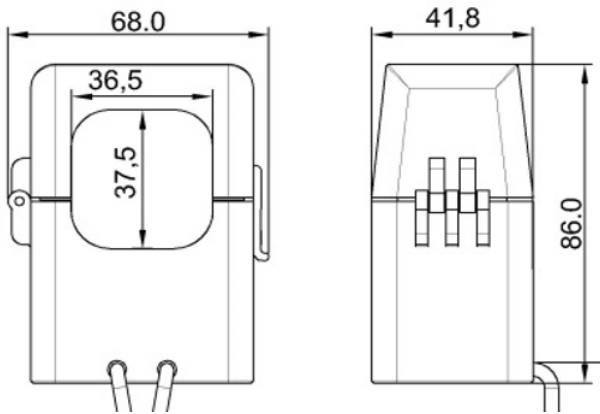
XH-SCT-T36 Specification

Operating Condition: -25°C to +55°C, 85%RH
 Frequency: 50/60Hz
 Linearity Range: 5%-120%I_n
 Withstand Voltage: 3kV/1mA/60s
 Flame Rating: 94-V0
 Output Cable: BVR 1m @ 2.5mm²
 Certification: CE (EN 61326-1: 2013), UL (ANSI/IEEE C57.13), RoHS

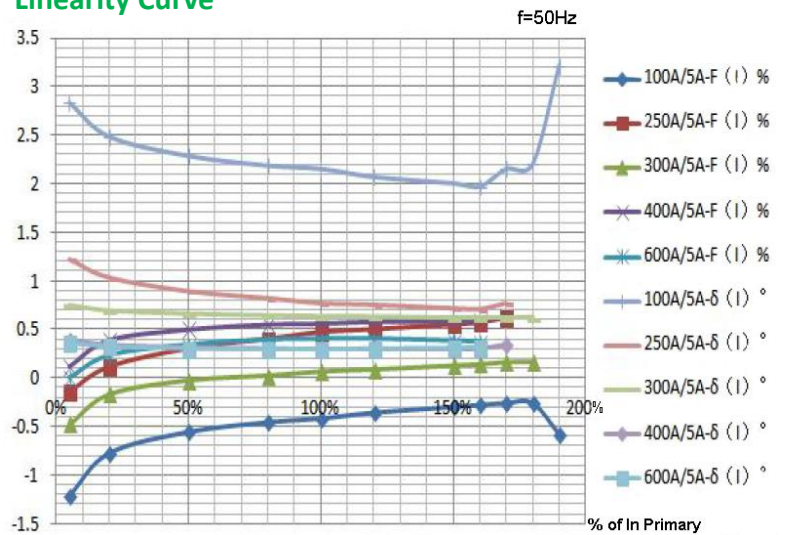


Rated Ratio	Accuracy (IEC 61869)	Rated Load (Burden)	Rated Ratio	Accuracy (IEC 61869)	Rated Load (Burden)
200A/5A	Class 1	0.5VA	200A/1A	Class 1	0.5VA
300A/5A	Class 1	1.5VA	300A/1A	Class 1	1.5VA
400A/5A	Class 1	2.5VA	400A/1A	Class 1	2.5VA
500A/5A	Class 0.5	2.5VA	500A/1A	Class 0.5	2.5VA
600A/5A	Class 0.5	2.5VA	600A/1A	Class 0.5	2.5VA

Dimensions (Unit: mm)



Linearity Curve



Do not open circuit the SCCT's secondary output under any circumstances while the circuit is energized. Failure to observe proper precaution while working with this product may result in serious injury or death.

Installation Instructions

- Make sure that the maximum Load Current is within the SCCT's measurement range.
- Put on the necessary personal protective equipment and de-energize the circuit before installation.
- Connect the red wire (S1) and the black wire (S2) to the "+" and "-" terminals (or "Ix1" and "Ix2" or the appropriate terminals), respectively at the receiving end.
- Open the clip of the SCCT as shown in #2 below and make sure that the SCCT's contact surface is clean and free of contaminants for best accuracy performance.
- Install the SCCT around the conductor as shown in #3 below and make sure the Current flow direction is consistent with the SCCT's arrow indicator.
- Close the SCCT and then make sure the clip is securely latched.

